

CPVC Pipe & Threaded Fittings

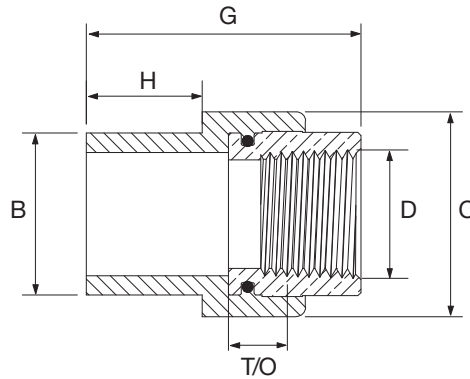
CPVC Fittings

Sprinkler Head Adaptor, Spigot x Female Thread



Sizes	DN20 x DN15 thru DN25 x DN20 ($\frac{3}{4}$ " x $\frac{1}{2}$ " thru 1" x $\frac{3}{4}$ ")
Approvals	UL, C-UL Listed & FM, MEA, NSF, & LPCB Approved
Rated Pressure	12,1 bar (175 psi)
Maximum Temperature Rating	65°C (150°F).
Tech Data Sheet	TFP1915 and Installation Handbook - IH-1900

Manufactured with Lubrizol's BLAZEMASTER® compound ■ Produced from BlazeMaster® thermoplastic compound, RAPID RESPONSE CPVC fittings are designed exclusively for use in wet and dry pipe automatic fire sprinkler systems. ■ Our CPVC is easier to install than traditional steel components, while providing superior heat resistance and strength compared to traditional CPVC and PVC fitting materials.



CPVC Sprinkler Head Adaptor, Spigot x Female Thread

Part No.	Size				C mm	G mm	H mm	T/O mm	Weight kg	Approval Listings				
	B Nominal		D Threaded							LPCB	FM	UL	MEA	NSF
	DN	In.	DN	In.										
80177L	20	$\frac{3}{4}$ "	15	$\frac{1}{2}$ " NPT	34	45	19	13	0.073	✓	✓	✓	✓	✓
80178	25	1"	15	$\frac{1}{2}$ " NPT	43	49	22	14	0.091	✓	✓	✓	✓	✓
80178X	25	1"	15	$\frac{1}{2}$ " NPT Extended	43	58	31	16	0.090	✓	✓	✓	✓	✓
80180	25	1"	20	$\frac{3}{4}$ " NPT	43	57	22	22	0.180	✓	✓	✓	✓	✓